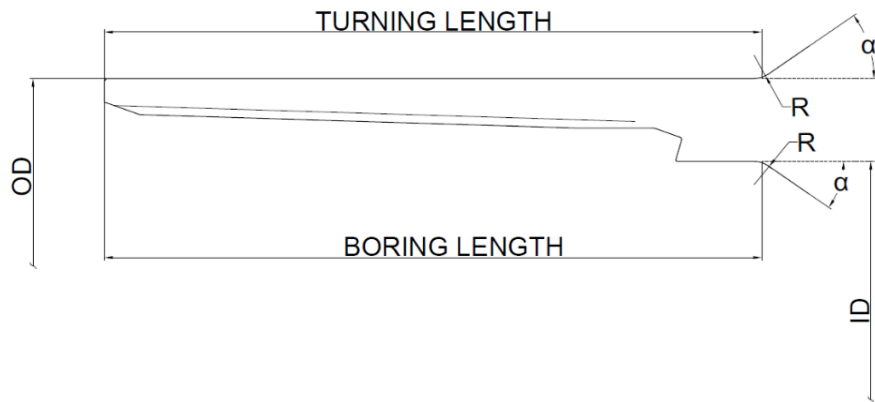


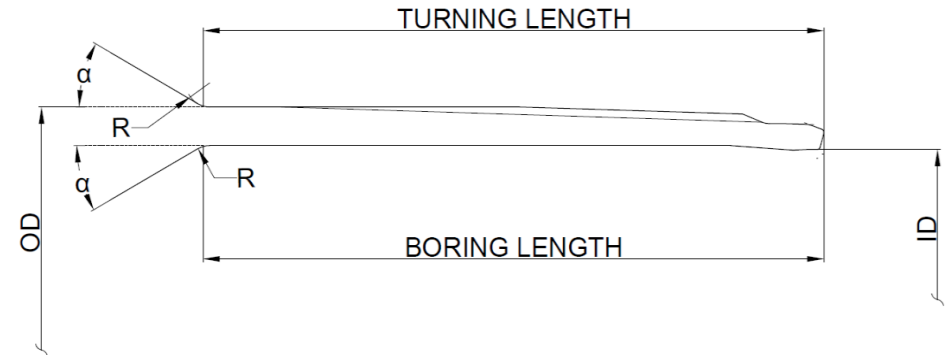
7 in 26 lb/ft

Clearance: Standard

Label	Pin/Box	OD [mm]	ID [mm]	Min. Turning Length [mm]	Min. Boring Length [mm]	OD [in]	ID [in]	Min. Turning Length [in]	Min. Boring Length [in]
7 in 26 lb/ft	BOX	192.60 ± 0.70	157.80 ± 0.20	144.00	144.00	7.583 ± 0.028	6.213 ± 0.008	5.669	5.669
	PIN	178.24 ± 1.33	158.50 ± 0.20	150.00	150.00	7.018 ± 0.052	6.240 ± 0.008	5.906	5.906



BOX



PIN

$R_{\min} = 20 \text{ mm} = 0.79 \text{ in}$

$\alpha_{\min} = 30^\circ$



www.sentinelconnections.com

PCBD-SENTINEL_Prime-7-26

Date of issue (dd/mm/yyyy): 31/10/2024